

Features

- Battery Reverse Connection Protection (Fuse)
- Low Battery Voltage Protection (Relay Open)
- AC Power Cut-off Signal
- Convection cooled
- Power OK: Signal output for easy control
- 100% burn-in test
- Build-in wave filter
- Small size
- MOSFET designed
- 350,000 Hrs MTBF per MIL-HDBK-217F
- 2 years Warranty
- Output voltage can be customised from 3V~200VDC
- Split rail and Series Connection possible



DIMENSIONS : 151(L) x 99(W) x 35(H)mm
WEIGHTS: 500g

General specifications

INPUT

Input range	90-264VAC 127~380VDC
Input frequency	47~63Hz
Inrush current (25°C)	20A/ 110VAC 40A/ 220VAC

OUTPUT

Hold-up Time	13mS
Short Protection	Autorecovery
Overload Protection	Automatic Power Limited

Detail specifications

60 Watts

MODEL	O/P Volt Adj. ± %	Load(Current) ¹			Ripple & Noise ⁴	Line REG. ²	Load REG. ³	Efficiency ⁵	Function
		Min.	Rated	Max.					
MSPS20602CHTA	V1: +13.8V ±10% B+: +13.8V-----	0A 0A	4.2A 0.16A	4.2A -----	120mVp-p -----	±1% -----	±1% -----	72% Min.	Relay Contact
MSPS20602CHTB	V1: +13.8V ±10% B+: +13.8V-----	0A 0A	4.2A 0.16A	4.2A -----	120mVp-p -----	±1% -----	±1% -----	72% Min.	Voltage Output

Function Descriptions for Screw Terminal Number 8 and 9

Relay Contact: Will be SHORTED when AC Voltage is Supplied and OPEN when AC Voltage is removed
Voltage Output: Will have Voltage Signal appearing at Terminal Number 9 when AC Voltage is Supplied
NO Voltage Signal presence when AC Voltage is removed.

EMC Standards

EN55022 CLASS A
EN61000-3-3
EN55024(IEC61000-4-2,
IEC61000-4-3, IEC61000-4-4
IEC61000-4-5, IEC61000-4-6
IEC61000-4-8, IEC61000-4-11)

Safety Standards

UL/CSA 60950 Meet
 CE Marking

Environments

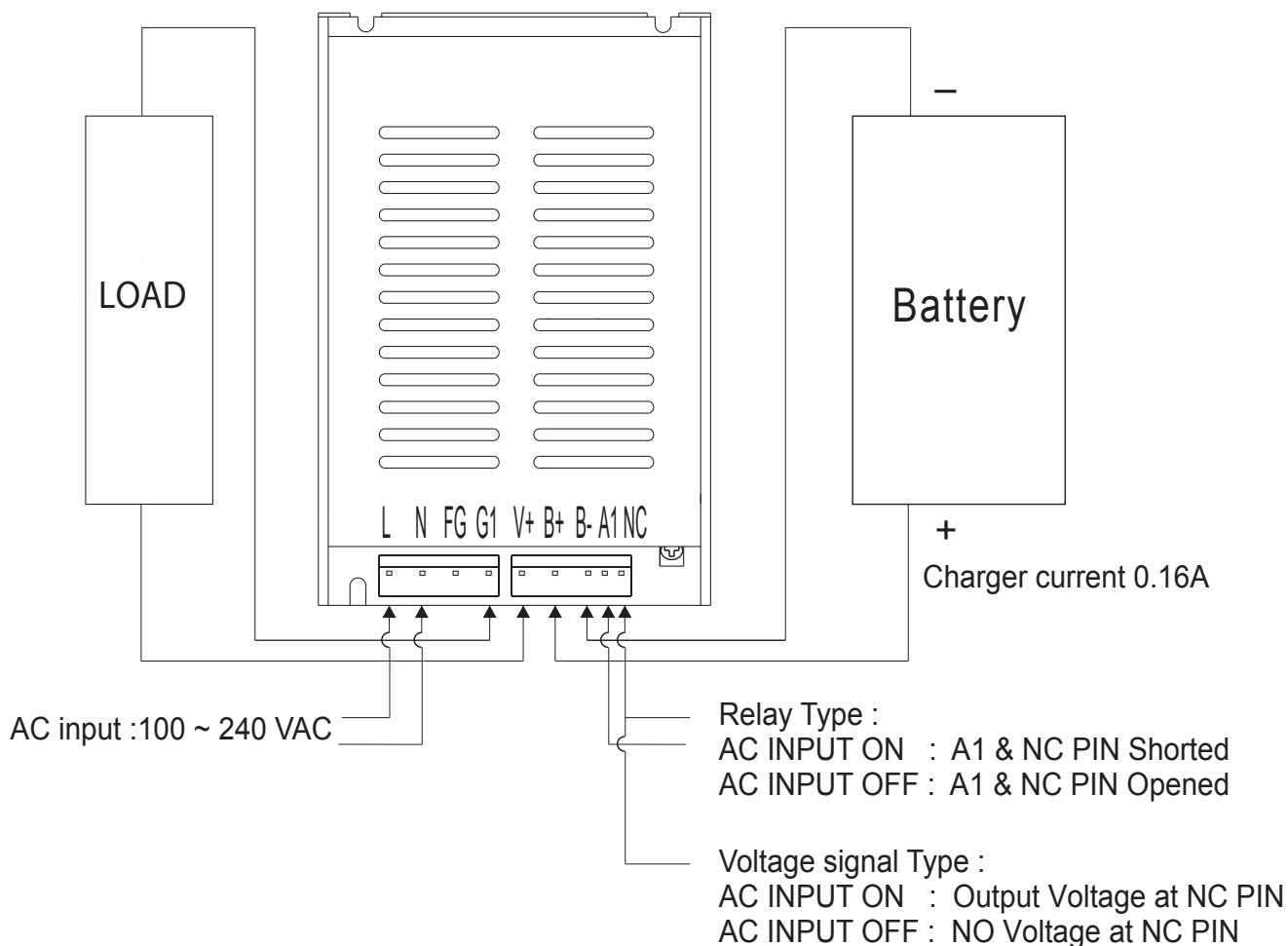
Operating Temperature 5 ~ 95% RH, No Condensing
Operating Humidity -15~ 50°C, Ambient
Storage Temperature -20 ~ 85°C, Ambient
Vibration 2G, 10~500Hz, 3 axes

- NOTE :
1. Each output can provide up to maximum load, but total load can not exceed rated output power.
 2. Line regulation is measured from low line to high line at rated load.
 3. Load regulation is measured from 20% to 100% of rated load at 110VAC Input.
 4. Ripple & noise are measured at 20MHz of bandwidth by using a 12" twisted pair-wire terminated with a 0.1uf & 47uf parallel capacitor.
 5. Efficiency is measured at rated load and 110VAC Input.
 6. Hold-up time is measured at rated load and 110VAC Input.

The factory retained the right to modify all specifications without notice

Charging Connection

MSPS20602CHTX



Connection Terminal

Pin		Description			
1	L	Line Terminal of Input			
2	N	Neutral Terminal of Input			
3	FG	Groud(Earth)			
4	G1	DC Output Ground Terminal			
5	V+	DC Output Terminal			
6	B+	DC Output Battery + Terminal			
7	B-	DC Output Battery - Terminal			
Signal Pins	Voltage Signal Type (B)			Relay Type (A)	
	AC Input ON	AC Input OFF	AC Input ON	AC Input OFF	
8	A1	Not Used	Not Used	A1 and NC Pin Shorted	A1 and NC Pin Opened
9	NC	Output Voltage	NO Output		

The factory retained the right to modify all specifications without notice